

NOTES:

1. DOUBLE-FACED STREET NAME SIGNS SHALL BE CITY OF LEBANON TYPE "G1" OR "G2". STANDARD SIGN SIZE: 6"Hx24"W (30" WIDTH IF NEEDED).
2. PRIMARY SIGN MOUNTING HEIGHT IS 6'-8" (MIN.), 4'-0" FOR SECONDARY SIGNS (SEE SUPP. STD. DWG. 00200-01).
3. V-LOC SIGN POST SUPPORTS (OR APPROVED EQUAL) SHALL BE APPROPRIATE TO THE INSTALLATION SITE:
 TYPE 23VR1 --- HARD SURFACE MOUNT
 TYPE 23VR2 --- NATIVE SOIL BEARING MOUNT
 TYPE 23VR3 --- LOOSE SOIL BEARING MOUNT
4. POSITION V-LOC AS SPECIFIED BY MANUFACTURER WITH LOCKING WEDGE FACING ONCOMING TRAFFIC. USE APPROVED DRIVER TO INSTALL LOCKING WEDGE.

CITY of LEBANON 2021 SUPPLEMENTAL STANDARD DRAWING



APPROVED

[Signature]

CITY ENGINEER

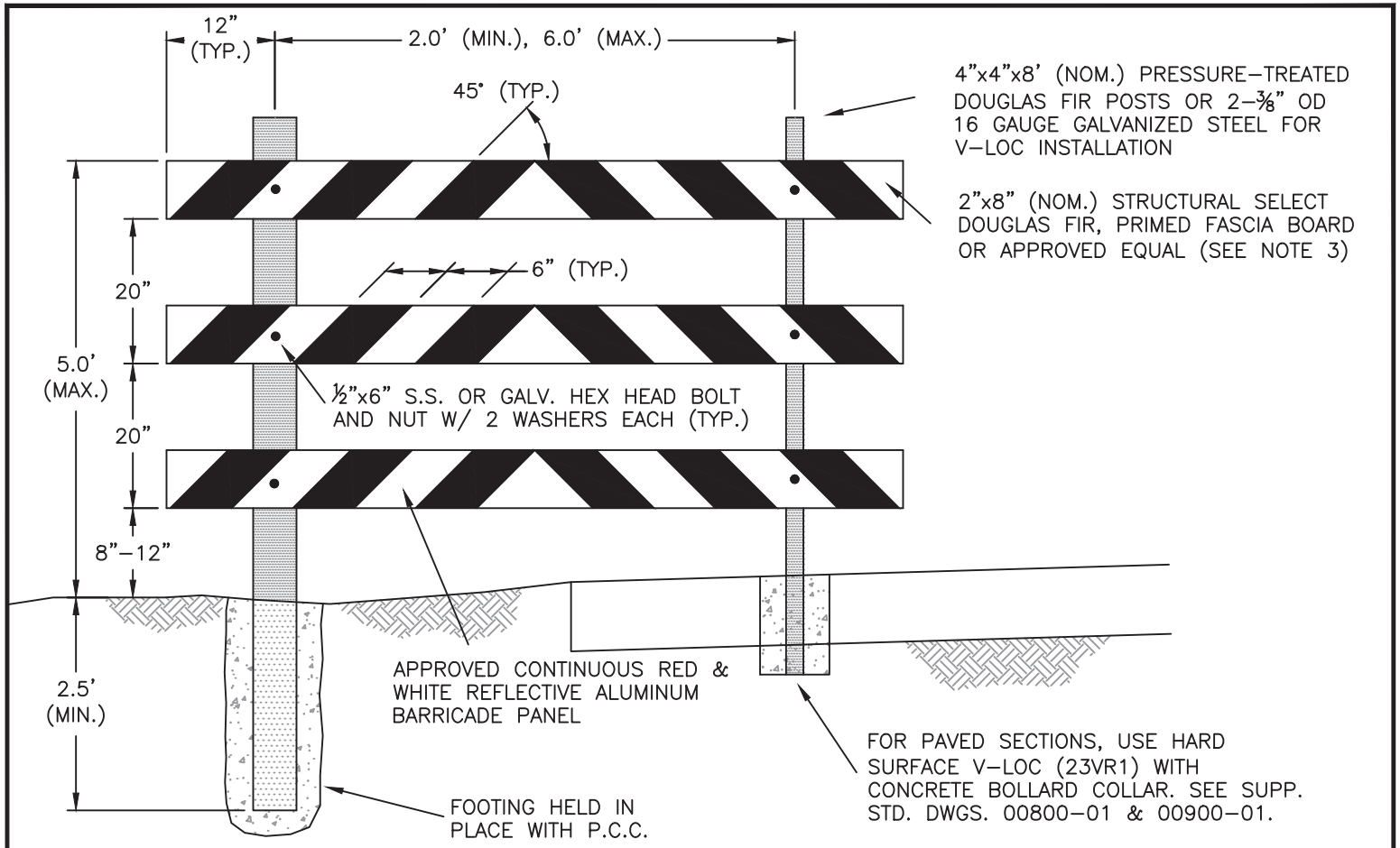
December, 2021

DATE

SIGN MOUNTING

DRAWING NO:

00900-01



NOTES:

1. SLOPE REFLECTORIZED STRIPING ON BARRICADE RAILS DOWNWARD AT A 45° ANGLE IN THE DIRECTION TRAFFIC IS TO PASS. WHERE BARRICADES EXTEND ACROSS AN ENTIRE ROADWAY, SLOPE STRIPING DOWNWARD IN THE DIRECTION TRAFFIC IS TO DETOUR. WHERE TRAFFIC IS PERMITTED TO DETOUR IN MULTIPLE DIRECTIONS, SLOPE STRIPING IN BOTH DIRECTIONS FROM THE CENTER OF THE BARRICADE (AS SHOWN ABOVE).
2. PAINT KILN-DRIED LUMBER AND PRIMED FASCIA BOARDS ON ALL SIDES WITH AN APPROVED WHITE LATEX PAINT PRIOR TO INSTALLATION/ASSEMBLY.
3. ATTACH BARRICADE PANELS TO 2"x8" RAILS USING 1" SELF-TAPPING METAL ROOFING SCREWS. POSITION SCREWS 1" FROM PANEL EDGES AT EACH CORNER AND AT 12" ON CENTER.
4. PROVIDE A 3' LEVEL CLEAR ZONE AROUND BARRICADES AND A 6" THICK CRUSHED AGGREGATE GROUND COVER FOR UNPAVED AREAS.
5. FOR ROAD CLOSURES, BLOCK THE ENTIRE ROADWAY FROM CURB TO CURB. CLOSURES REQUIRE INSTALLATION OF A GATE WITH 8' WIDE CLEAR OPENING, INSTALLED AS CLOSE TO THE SIDE OF THE ROAD AS POSSIBLE.
6. FOR RAILS LESS THAN 36' LONG, 4' WIDE STRIPES SHALL BE USED.
7. USE 4' TYPE III BARRICADES WHERE HORIZONTAL SPACE IS LIMITED.
8. DO NOT BLOCK BIKE LANES OR SHOULDERS UNLESS THEY ARE PROPERLY CLOSED AND SIGNED.

CITY of LEBANON 2021 SUPPLEMENTAL STANDARD DRAWING



APPROVED

[Signature]

CITY ENGINEER

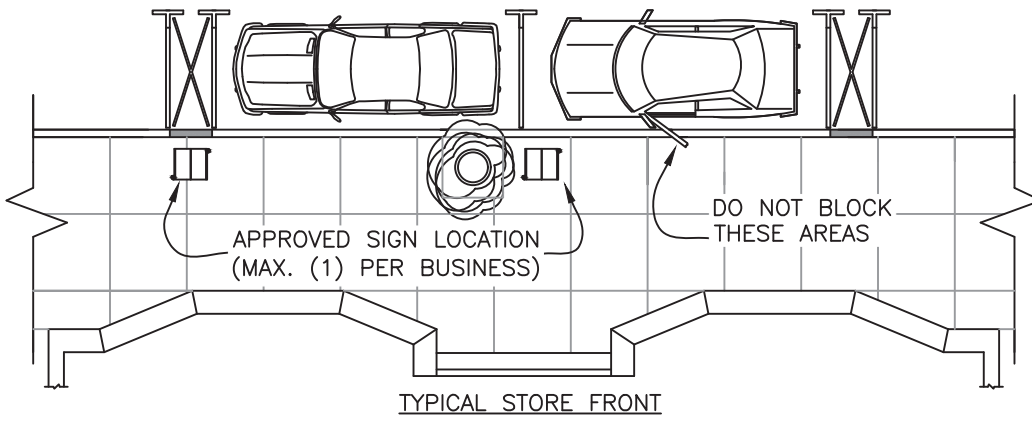
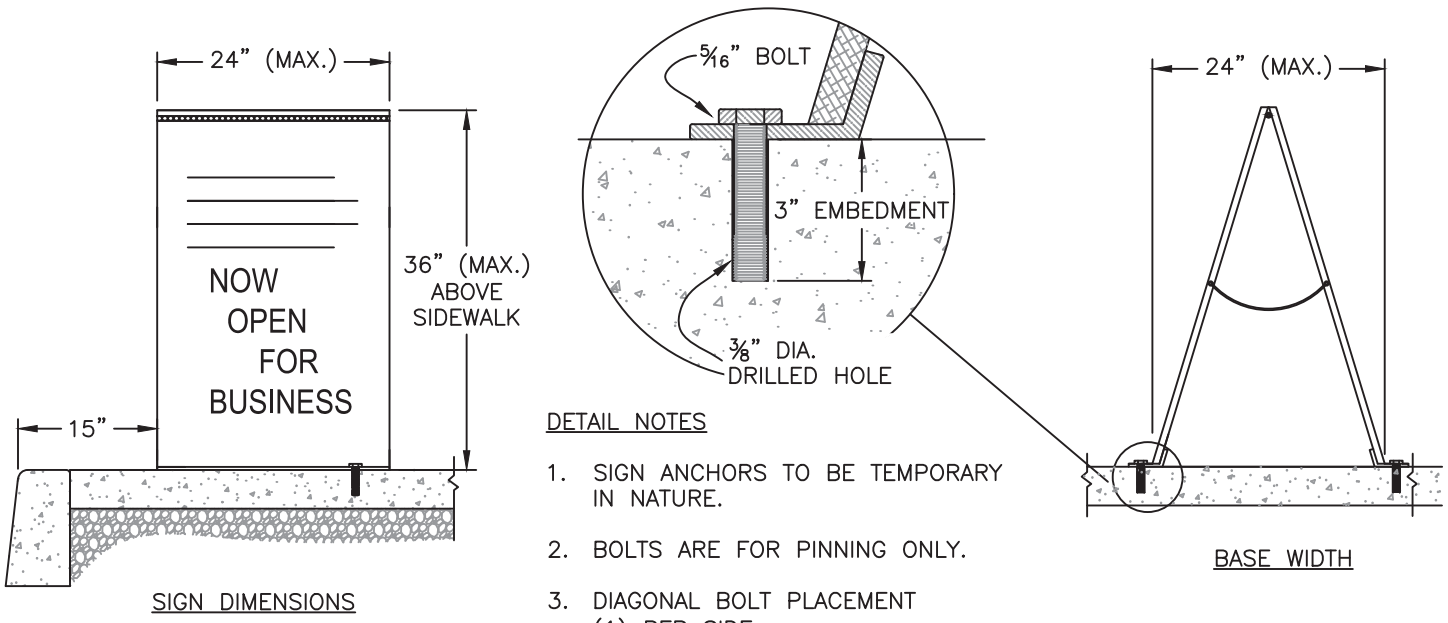
December, 2021

DATE

**PERMANENT TYPE III
BARRICADE**

DRAWING NO:

00900-02



NOTES:

1. A CITY RIGHT-OF-WAY PERMIT IS REQUIRED FOR ALL DAILY DISPLAY SIGNS. POSSESSION OF A PERMIT IS NOT INTENDED TO APPROVE SIGN CONTENT.
2. THE SIGN SHALL BE PLACED BEHIND THE CURB AND MEET THE FOLLOWING REQUIREMENTS:
 - SIGN MAY NOT INTERFERE WITH ON-STREET PARKING,
 - PLACEMENT MUST PROVIDE A 5.0' MINIMUM PEDESTRIAN THOROUGHFARE AND
 - SIGN SHALL NOT BE PLACED WITHIN 20' OF AN INTERSECTION OR WITHIN A 5.0' RADIUS OF A FIRE HYDRANT.
3. THE SIGN MUST BE SECURELY ATTACHED TO THE SIDEWALK WHEN IN PLACE (SEE DETAIL ABOVE). ATTACHMENT POINTS SHALL NOT CONSTITUTE A SIDEWALK TRIPPING HAZARD WHEN THE SIGN IS REMOVED.
4. SIGN DIMENSIONS SHALL NOT EXCEED A MAXIMUM WIDTH OF 24" AND MAXIMUM HEIGHT OF 36".
5. NO MORE THAN ONE SIGN PER BUSINESS WILL BE ALLOWED.
6. SIGNS MAY BE DISPLAYED IN THE RIGHT-OF-WAY ONLY DURING BUSINESS HOURS.

CITY of LEBANON 2021 SUPPLEMENTAL STANDARD DRAWING



APPROVED

[Signature]

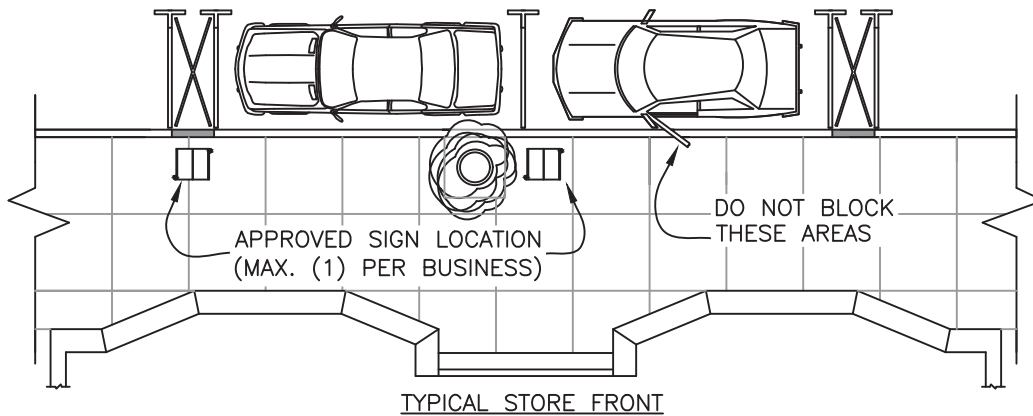
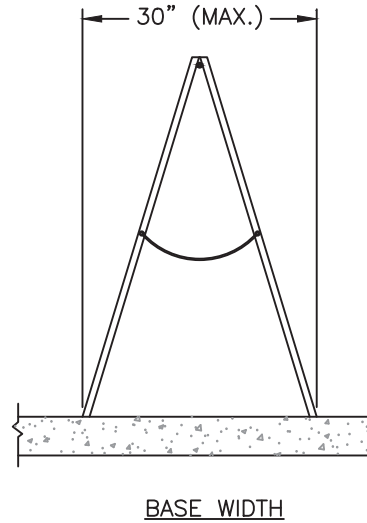
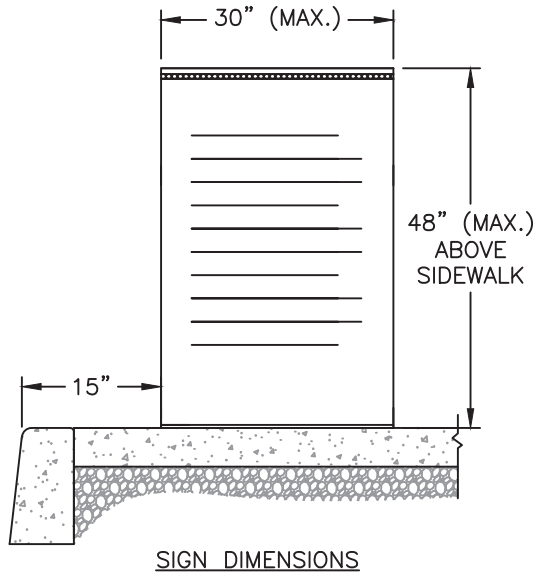
CITY ENGINEER

December, 2021

DATE

**ANCHORED
DISPLAY SIGN**

DRAWING NO: 00900-03



NOTES:

1. A CITY RIGHT-OF-WAY PERMIT IS REQUIRED FOR ALL DAILY DISPLAY SIGNS. POSSESSION OF A PERMIT IS NOT INTENDED TO APPROVE SIGN CONTENT.
2. THE SIGN SHALL BE PLACED BEHIND THE CURB AND MEET THE FOLLOWING REQUIREMENTS:
 - SIGN MAY NOT INTERFERE WITH ON-STREET PARKING,
 - PLACEMENT MUST PROVIDE A 5.0' MINIMUM PEDESTRIAN THOROUGHFARE AND
 - SIGN SHALL NOT BE PLACED WITHIN 20' OF AN INTERSECTION OR WITHIN A 5.0' RADIUS OF A FIRE HYDRANT.
3. SIGN DIMENSIONS SHALL NOT EXCEED A MAXIMUM WIDTH OF 30" AND MAXIMUM HEIGHT OF 48".
4. NO MORE THAN ONE SIGN PER BUSINESS WILL BE ALLOWED.
5. SIGNS MAY BE DISPLAYED IN THE RIGHT-OF-WAY ONLY DURING BUSINESS HOURS.

CITY of LEBANON 2021 SUPPLEMENTAL STANDARD DRAWING



APPROVED

[Signature]

CITY ENGINEER

December, 2021

DATE

**UNANCHORED
DISPLAY SIGN**

DRAWING NO:

00900-04